

# SPM to PERMANENT MAGNET MOTOR NO REVERSE

PART NO. A

FUSE RATING			
ANN250	ANN400	ANN600	
SPM48225	SPM48500	SPM48800	
SPM48300	SPM48600		
SPM48400			

TAB	FUNCTION
1	KSI VOLTAGE THROTTLE
2	THROTTLE
3	1/2 SPEED REVERSE
4	BATTERY POSITIVE
B+	BATTERY POSITIVE
B-	BATTERY NEGATIVE
M-	MOTOR MINUS

**NOTES:**

- > FUSES REQUIRED FOR ALL INSTALLATIONS
- > DIODE REQUIRED ACROSS COILS / RELAYS
- > PRE-CHARGE RESISTOR REQUIRED
- > ASSUMES FOOTSWITCH IS OPEN WHEN THROTTLE OFF
- > ALLTRAX RESERVES THE RIGHT TO CHANGE DOCUMENTATION WITHOUT NOTICE
- > ALLTRAX MAKES NO WARRANTY AS TO THE ACCURACY, SUFFICIENCY, OR SUITABILITY OF ANY TECHNICAL OR OTHER INFORMATION PROVIDED
- > SEE OPERATORS MANUAL FOR MORE INFORMATION

REVISIONS			
REV.	ECO.	DATE	APVD
B	032612	032712	RC
C	012513	012513	RC

**ALLTRAX** 1111 Cheney Creek Rd.  
Grants Pass, OR 97527  
PHONE:(541) 476-3565

**SPM- PERMANENT MAGNET W/O REVERSE**  
Wiring Diagram

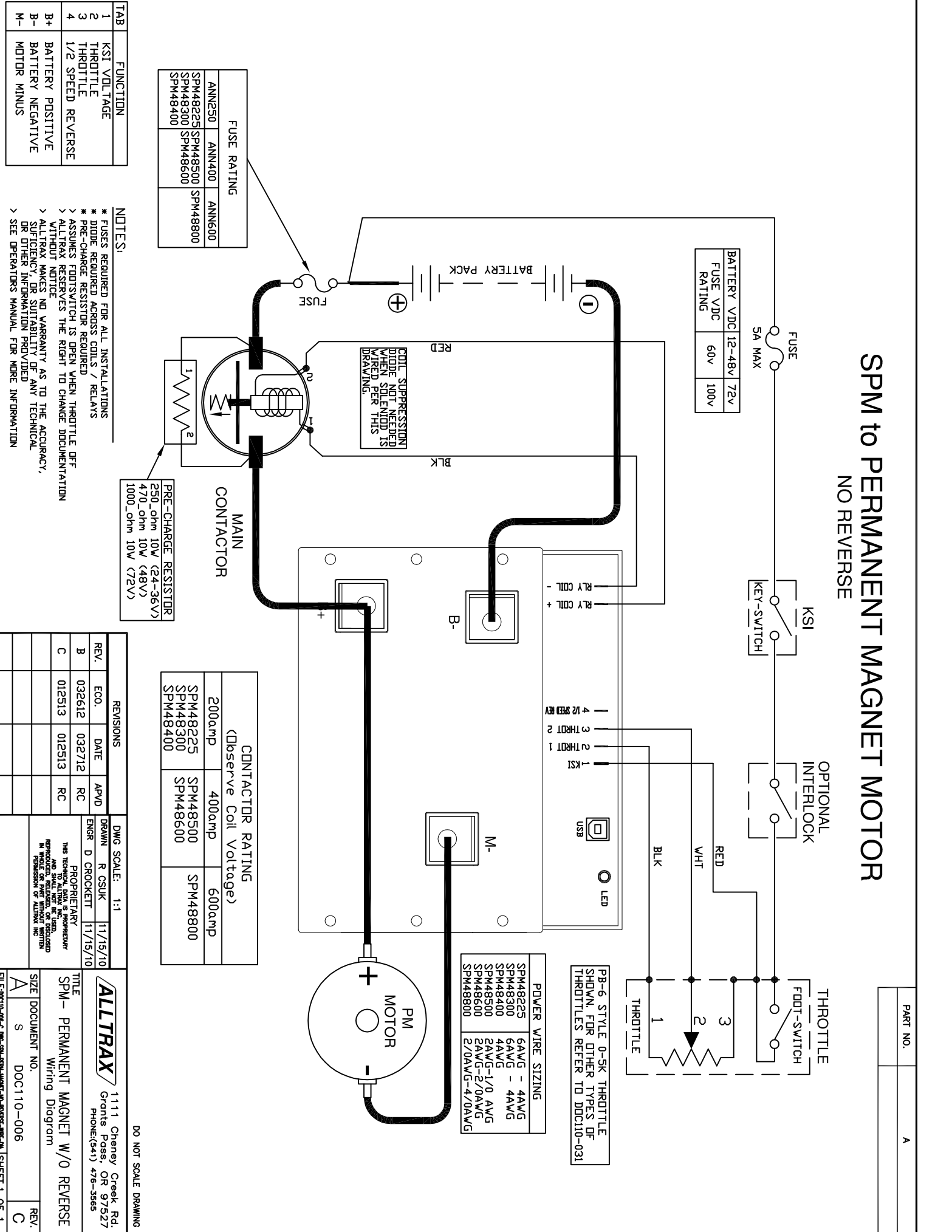
SIZE DOCUMENT NO. DOC110-006

REV. C

DO NOT SCALE DRAWING

CONTACTOR RATING (Observe Coil Voltage)			
200amp	400amp	600amp	
SPM48225	SPM48500	SPM48800	
SPM48300	SPM48600		
SPM48400			

POWER WIRE SIZING			
SPM48225	6AWG - 4AWG		
SPM48300	6AWG - 4AWG		
SPM48400	4AWG		
SPM48500	2AWG-1/0 AWG		
SPM48600	2AWG-2/0AWG		
SPM48800	2/0AWG-4/0AWG		



FILE:100110-006-C-IMP-SPM-FEWM-WA-MET-10-REV05-IMP-01 SHEET 1 OF 1