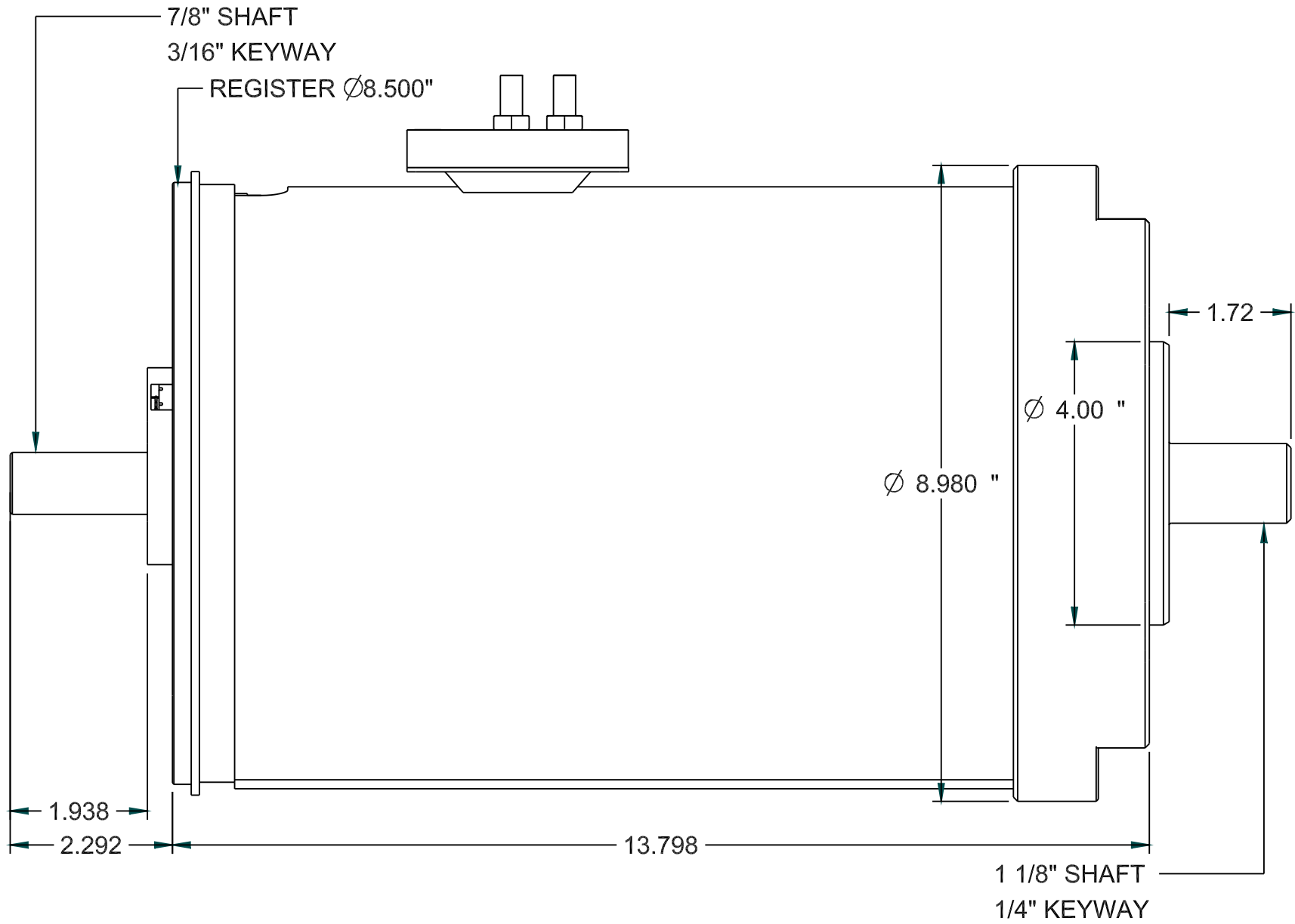


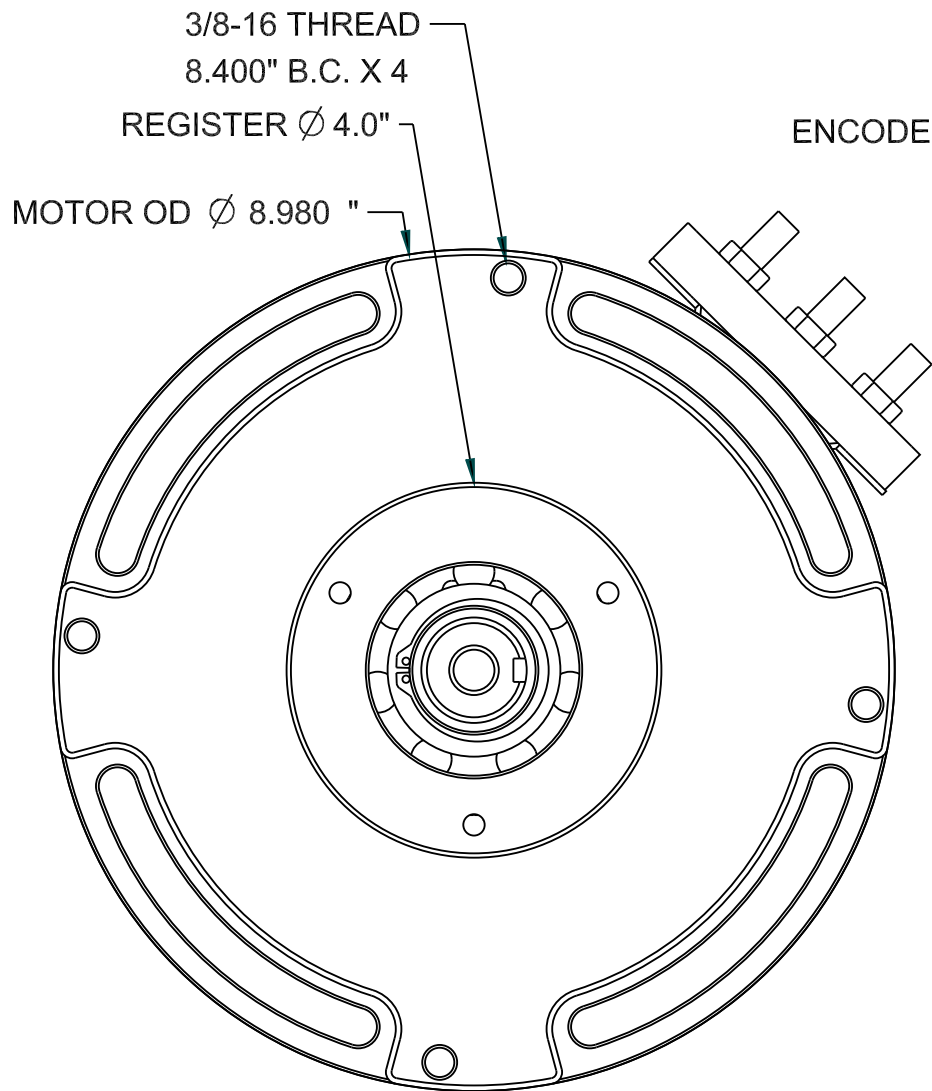
A50-02-1



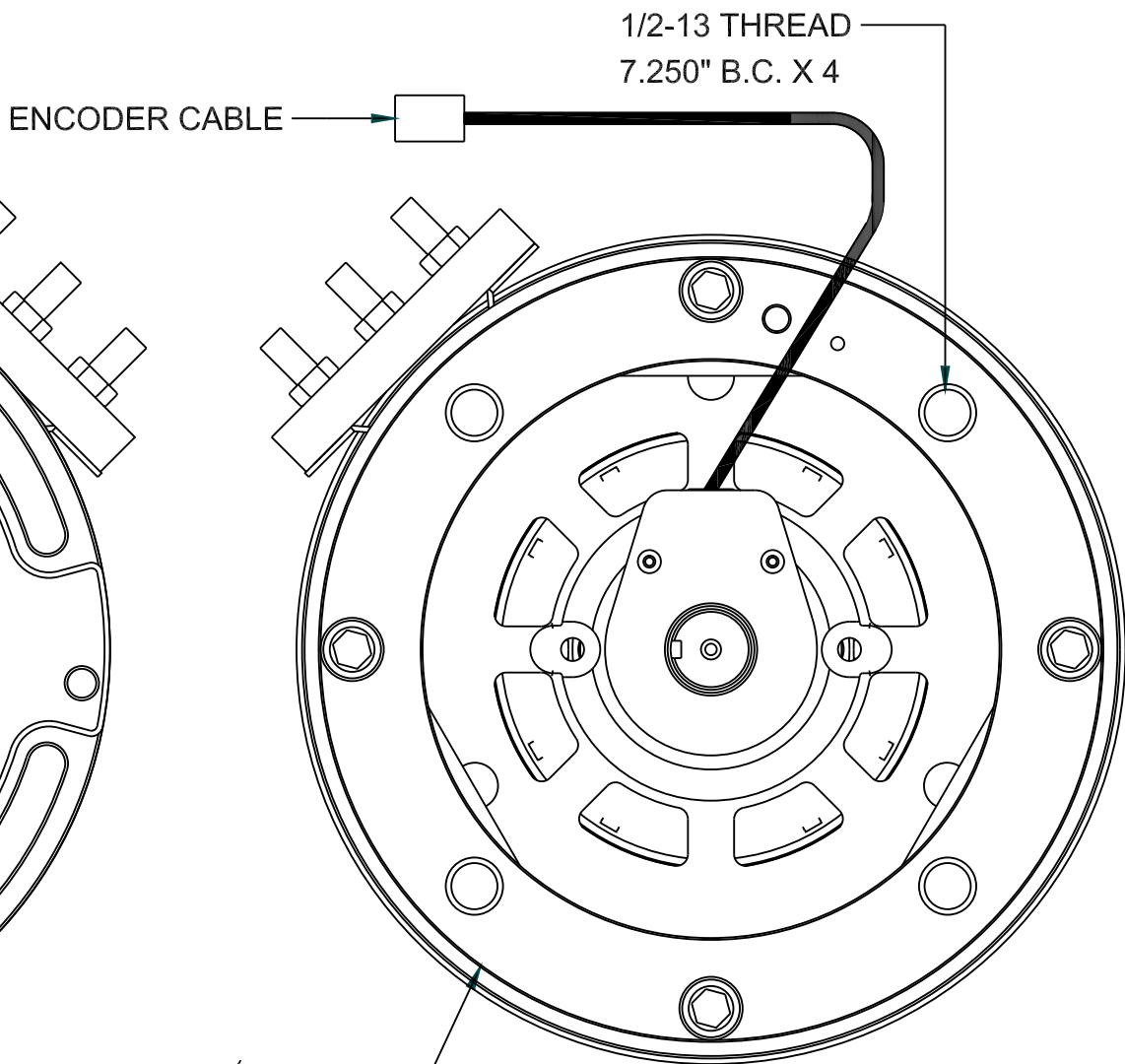
SIDE VIEW

MODEL NO.		HI PERFORMANCE GOLF CARS
AC50-02-1		
DATE : 05-29-2009		REV 1

A50-02-1



DRIVE END



ENCODER END

MODEL NO.		HI PERFORMANCE GOLF CARS
AC50-02-1		
DATE : 05-29-2009		REV 1